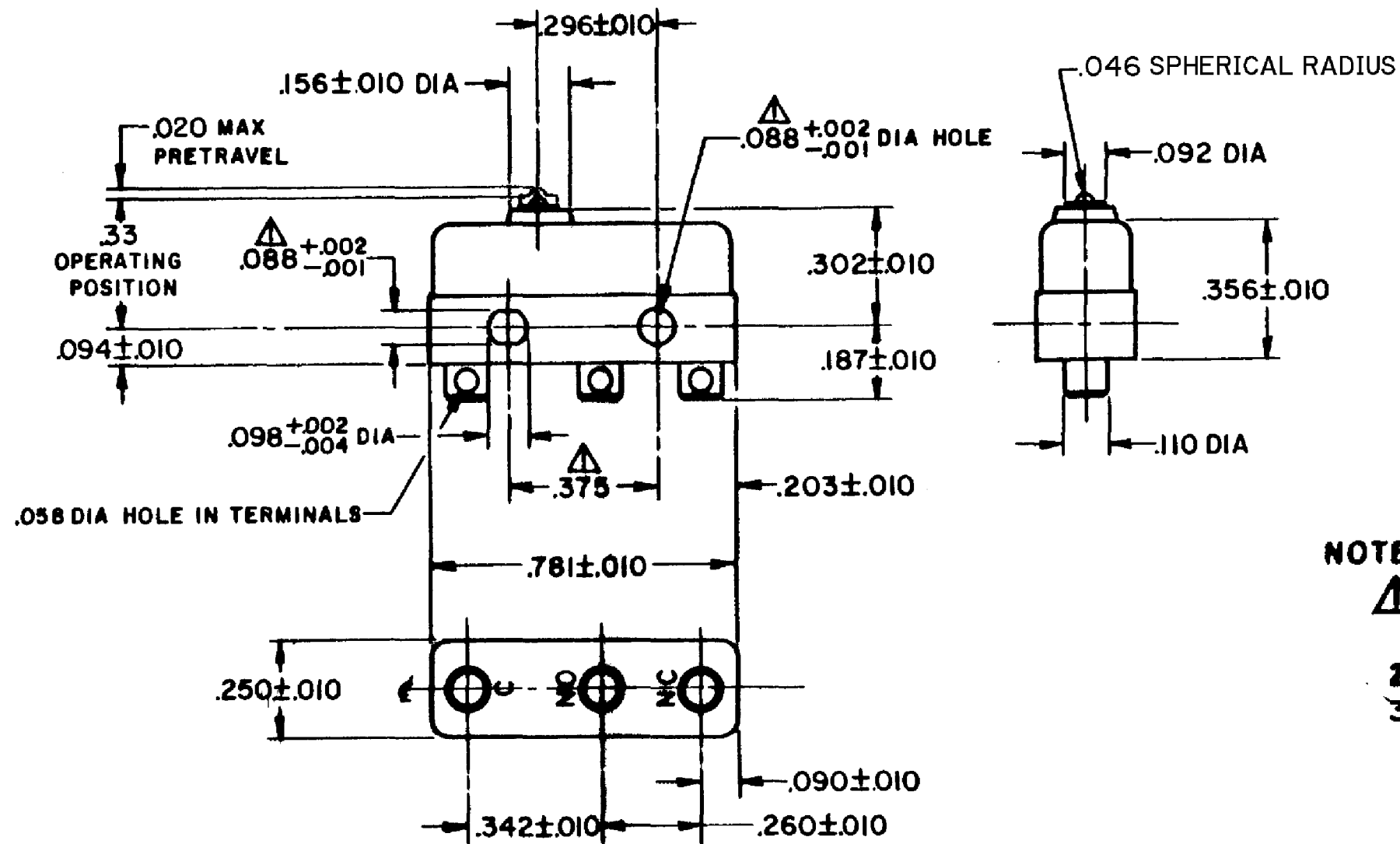
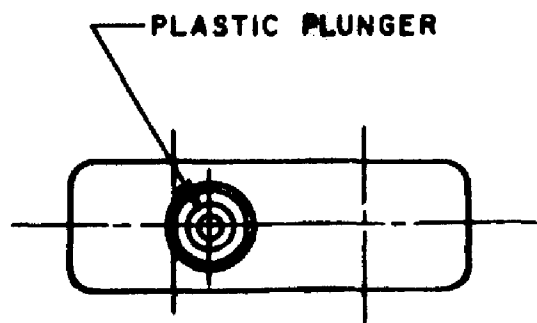


| |
|--------------------------|
| HONEYWELL PART NUMBER |
| 11SM3 |
| PRODUCT CODE TWT0300 |

| REV | DOCUMENT | CHANGED BY | CHECK |
|-----|----------|------------|-------|
| 11 | 0038090 | VS 28APR08 | BLR |



NOTE—
 ▲-MOUNTING HOLES WILL ACCEPT PINS OR SCREWS OF .087 MAX DIA ON .375±.002 CENTERS
 2-TERMINALS ARE PLATED FOR SOLDERING
 3-SWITCH WILL WITHSTAND TEMPERATURE OF 250° F

| | |
|-------------|---|
| RELEASE NO. | - |
| REPLACES | - |

| CHARACTERISTICS | |
|---------------------|----------|
| OPERATING FORCE | 3 - 5 OZ |
| RELEASE FORCE | 1 OZ MIN |
| DIFFERENTIAL TRAVEL | .004 MAX |
| OVERTRAVEL | .005 MIN |

| ELECTRICAL DATA | | |
|-----------------------------|-----------|--------------------|
| CONTACT ARRANGEMENT SPDT | | |
| 30 VOLTS DC RATING | | |
| | SEA LEVEL | 50,000 FT |
| INDUCTIVE | 3 AMP | 2.5 AMP |
| RESISTIVE | 5 AMP | 5 AMP |
| MAXIMUM INRUSH 24 AMP | | |
| APPROVALS | KEMA, CE | 5A, 250V ~ T85 1E4 |
| | UL, CSA | 5A, 250 VAC |

| |
|--------------------------|
| DESIGN UNITS: INCH |
| TOLERANCES UNLESS NOTED: |
| NO PLACE X ± |
| ONE PLACE .X ± |
| TWO PLACE .XX ± |
| THREE PLACE .XXX ± |
| FOUR PLACE .XXXX ± |
| ANGLES ± |
| THIRD ANGLE PROJECTION |

| | | |
|--|----|-----------|
| DRAWN | VK | 27 NOV 07 |
| CHECK | RJ | 27 NOV 07 |
| THIS DRAWING COVERS A PROPRIETARY ITEM AND IS THE PROPERTY OF HONEYWELL. THIS DRAWING IS NOT TO BE COPIED OR USED WITHOUT THE PERMISSION OF HONEYWELL. | | |
| INTERPRET PER ANSI Y14.5M-1982 OTHER HONEYWELL ENGINEERING STANDARDS MAY APPLY | | |
| RASTER | | |

| | | | |
|-------------------------|------|--------------------|--------------|
| Honeywell | | | |
| TITLE SWITCH - BASIC | | | |
| SIZE | TYPE | DRAWING NAME | REV |
| B | I | 11SM3 | 11 |
| SCALE | - | WEIGHT .006 LB MAX | SHEET 1 OF 1 |